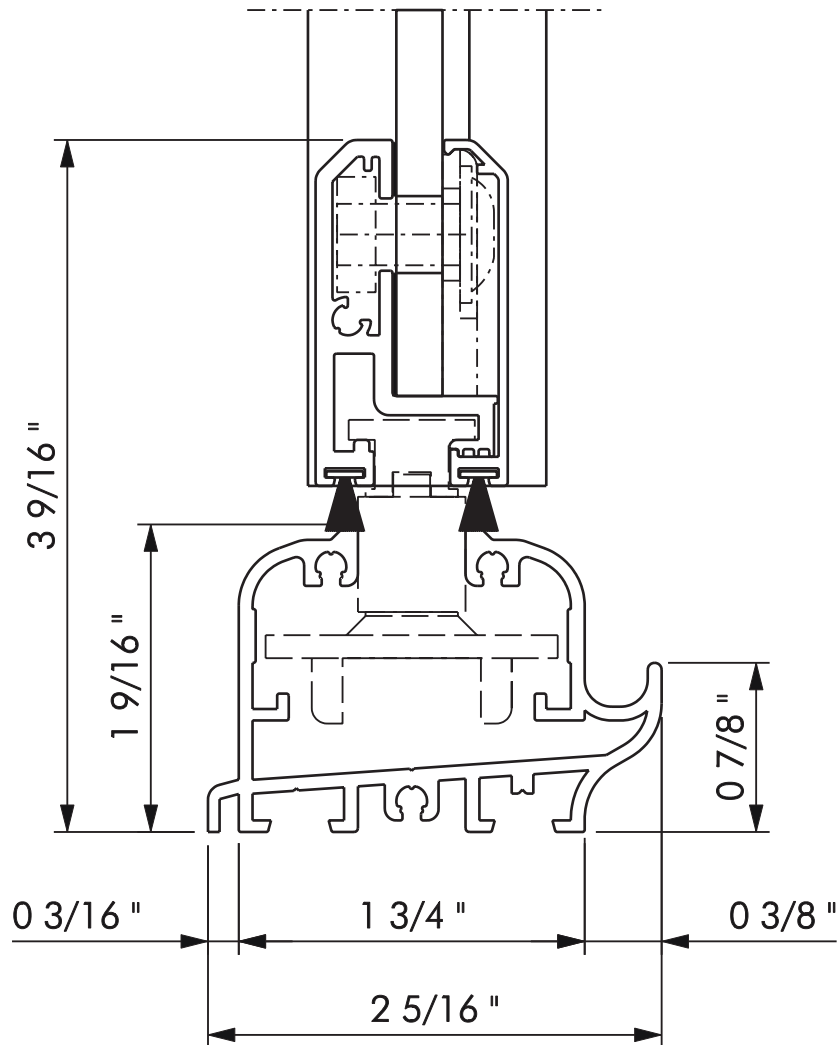


OUTSIDE

INSIDE



Description: **Vertical-Section System,
 bottom track**

System: **SF30**

Detail-No.: **SF30-003**