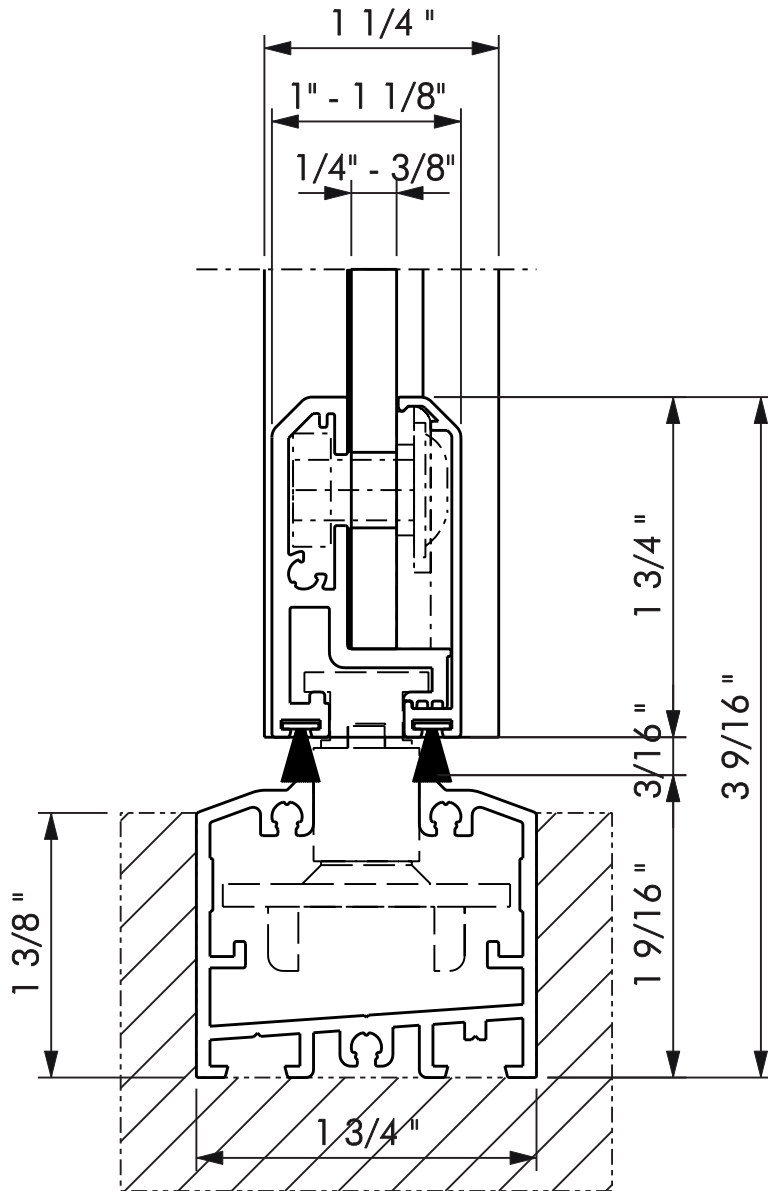


OUTSIDE

INSIDE



Description: **Vertical-Section,  
 flush bottom track**

System: **SF30**

Detail-No.: **SF30-006**