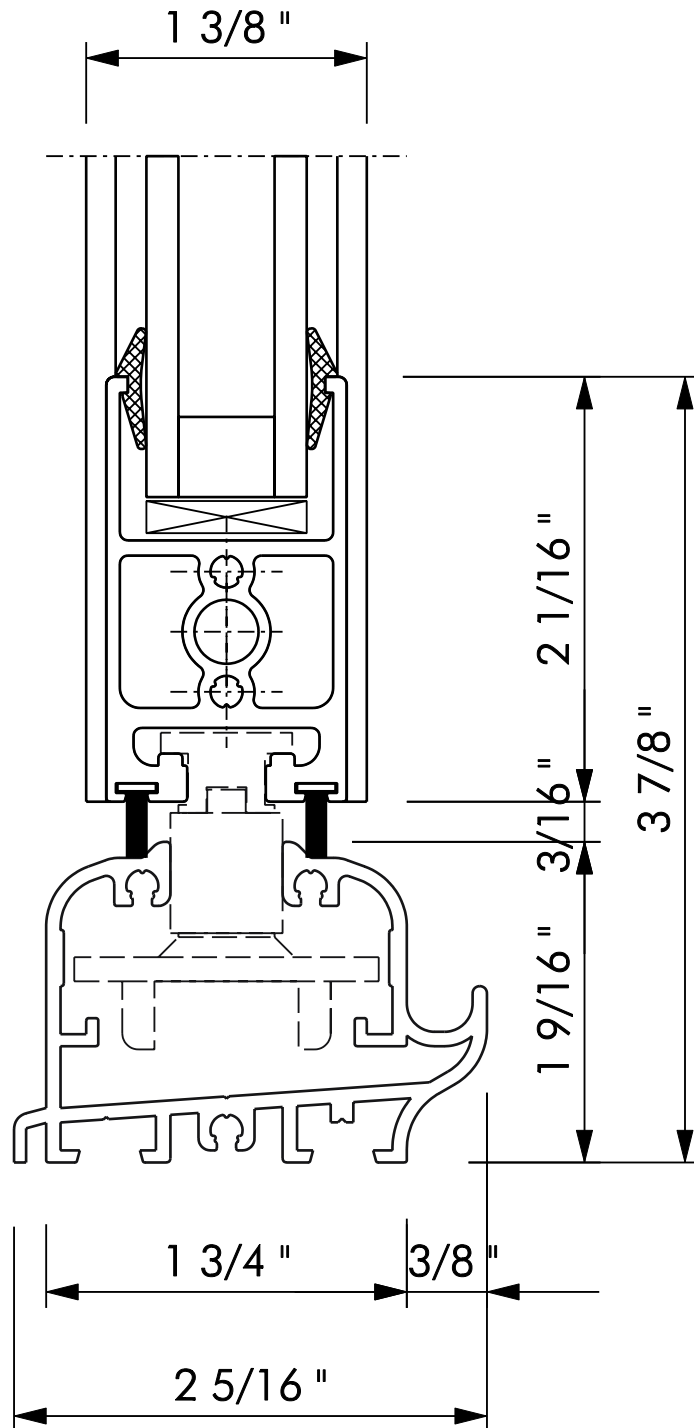


OUTSIDE



Description: **Vertical-Section,
 bottom track**

System: **SF35**

Detail-No.: **SF35-003**