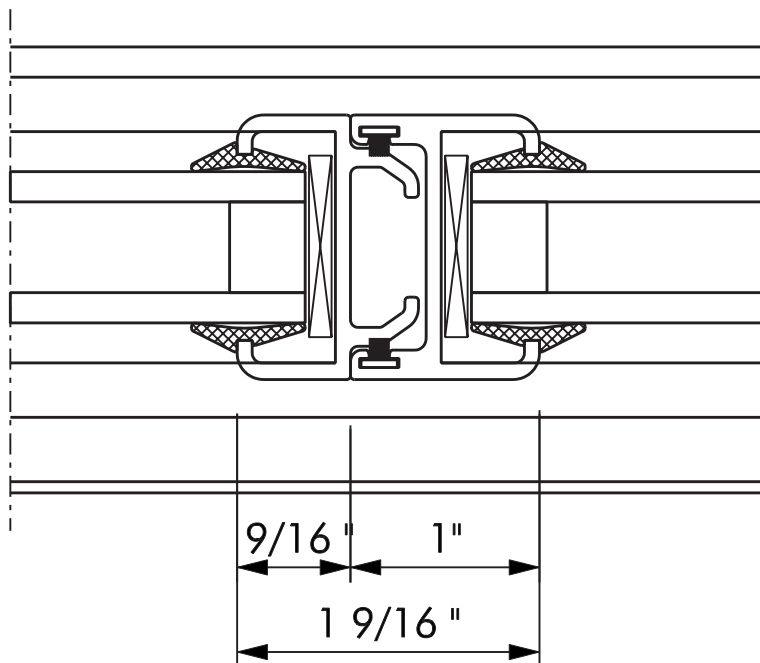


OUTSIDE



INSIDE

Description: **Horizontal-Section,  
panel - panel**

System: **SF35**

Detail-No.: **SF35-101**